

4

3

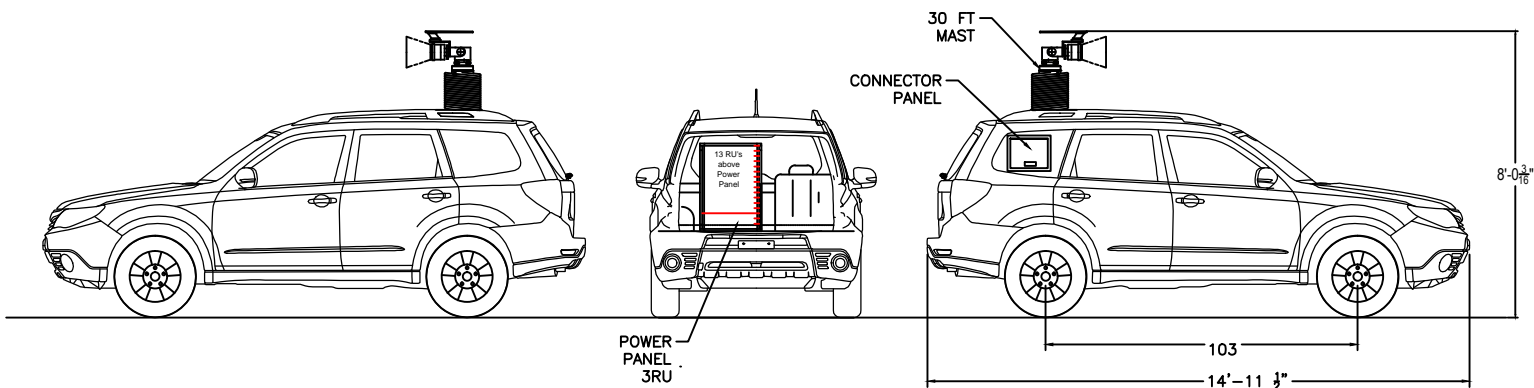


2

1

D

D



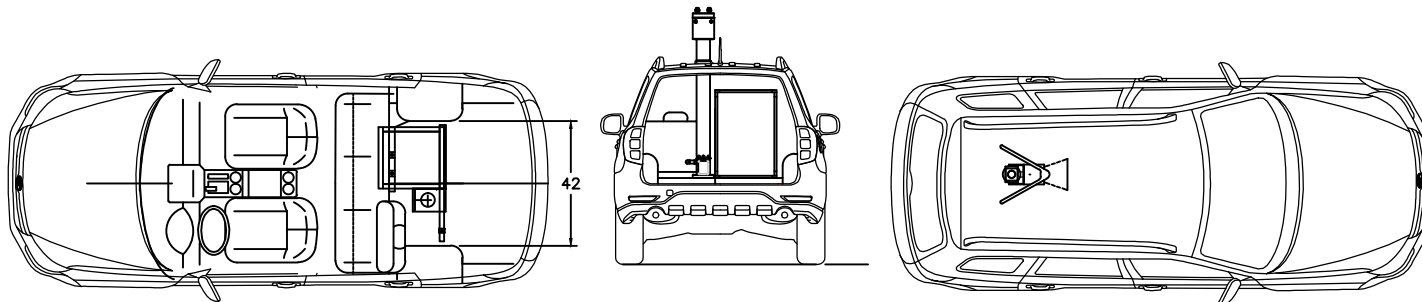
C

C



B

B



A

A

4

3



2

1

APPROVED BY: _____

DATE: _____

| REVISION | DATE | REASON | CUSTOMER: |
|----------|------------|------------------|---|
| ORIGINAL | 01-07-2012 | ORIGINAL VERSION | ALL |
| | | | PROJECT NUMBER: ALL |
| | | | DRAWING NUMBER: ALL |
| | | | ENGINEER: Accelerated Media Technologies, Inc. |

This drawing and the associated specifications represent certain design concepts which are the property of and proprietary to ACCELERATED MEDIA TECHNOLOGIES and may not be reproduced or otherwise disclosed without prior written authorization of ACCELERATED MEDIA TECHNOLOGIES.
Copyright © 2012 Accelerated Media Technologies. All rights reserved.

