

**SECTION A-A**

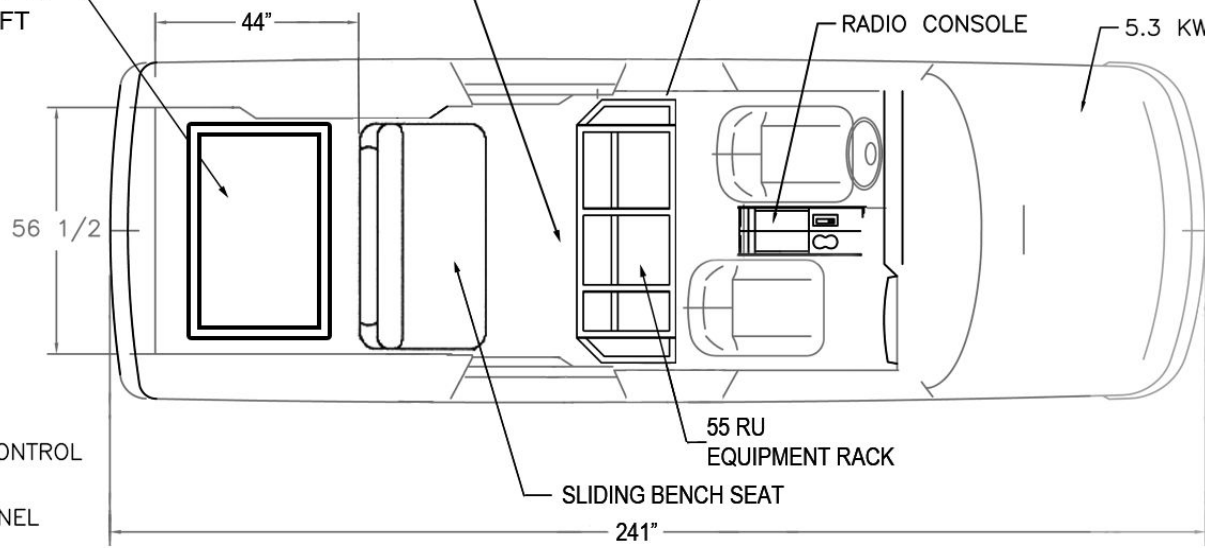
CEILING MOUNTED  
RETRACABLE 32" TV  
WITH FLP-210 LIFT

INTREGATED CONSOLE

20K BTU AC  
UNDER RACK

RADIO CONSOLE

5.3 KW MEPS GEN

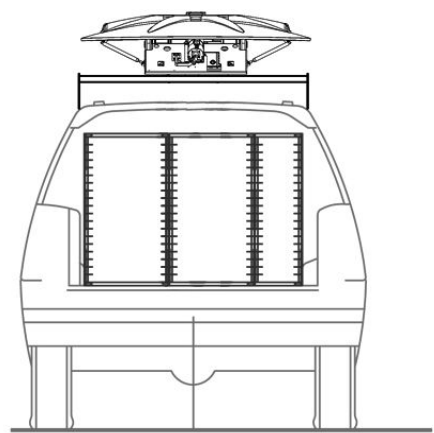


MEPS CONTROL  
3 RU  
POWER PANEL  
3 RU

55 RU  
EQUIPMENT RACK

SLIDING BENCH SEAT

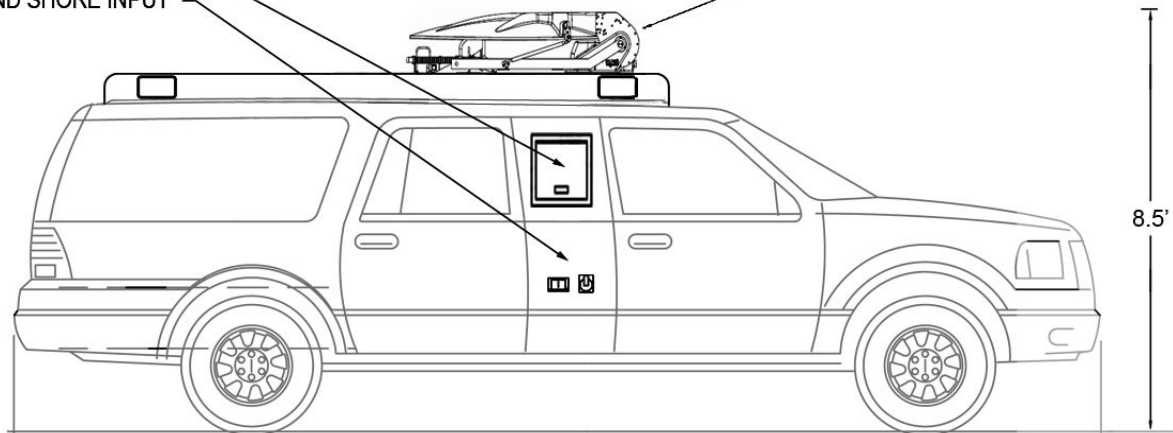
241"



**SECTION B-B**

CONNECTOR PANEL  
DUPLEX OUTLET AND SHORE INPUT

1.5 METER ANTENNA



**CURB SIDE**

241"

2011 EXP.20 CT 4x2  
5.4L GASOLINE V8  
GVWR - 9900 lb  
CURB WT - 6328 lb  
PAYLOAD - 2771 lb  
TOWING - 8900 lb



PROPRIETARY AND CONFIDENTIAL  
THE INFORMATION CONTAINED IN THIS DRAWING IS THE SOLE PROPERTY OF CABOT COACH BUILDERS INC. ANY REPRODUCTION IN PART OR AS A WHOLE WITHOUT THE WRITTEN PERMISSION OF CABOT IS PROHIBITED.

MATERIAL	Brand	Year	Model	Groups	Descriptions	Drawn by
	I	2011	EXP			-
FINISH	PROJ MGR APP.			TITLE: <b>EXP.20 COMMUNICATIONS TRUCK LAYOUT EXAMPLE</b>		
	ENG APP.					
	MFG APP.					
	DO NOT SCALE DRAWING					
COMMENTS:				SIZE	DWG. NO.	REV
				<b>C</b>	<b>EXAMPLE</b>	<b>-</b>
	SCALE:	DATE	SHEET 1 OF 1			